

# BINDINGAGENTS SPREADER



**CS 2-12 | CS 3-17**

<http://amag.de>



# CEMENTSPREADER

HIGHLIGHTS



- Easy to use control terminal – manual / automatic
- Exact spreading of binding agent
- Variable working width



- All-wheel-drive for difficult ground conditions
- Wide tyres with open centre tread design
- Road legal with speeds of up to 88km/h
- Self-propelled construction vehicle



- On-board weighing system
- Filter system for dust-free filling
- Dust-vacuum system for dust-free spreading
- Dust curtain at the metering shaft
- 40t trailer weight / 66t train weight





Technical Data	CS 2-12	CS 3-17
Container	12m <sup>3</sup>	17m <sup>3</sup>
Filling interface	3"	
Screw conveyors	4	6
<b>Spreader Mechanism</b>		
Dosing system	Aluminium	
Output quantity <sup>1</sup>	5 - 60 kg/m <sup>2</sup>	5 - 60 kg/m <sup>2</sup>
Spreading width	2500 mm	
<b>Vehicle</b>	IVECO EUROCARGO / MAN TGM	MAN TGS
Axles	2	3
Engine	Cursor / D8	D15
Cylinder	6	
Displacement	6 l	9 l
Power	250 ps	400 ps
Fuel	200 l Diesel / 25 l AdBlue	400 l Diesel / 35 l AdBlue
Unladen weight	8.5 t	16 t
Total permissible weight StVO	18 t	26 t
Total permissible weight manufacturer		33 t
Trailer weight	-	40 t
Tyres	315/80 R22.5	
Electrical system	24V	
Dimensions L x W x H	6.420 x 2.530 x 3.230 m	8.106 x 2.530 x 3.485 m

<sup>1</sup> Output quantity varies dependant on binding agent density and vehicle speed

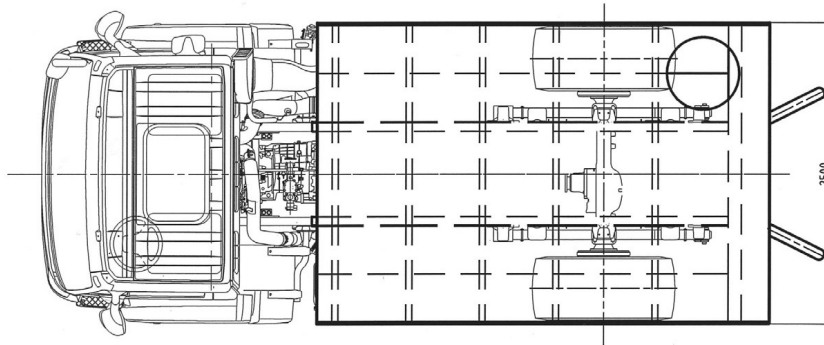
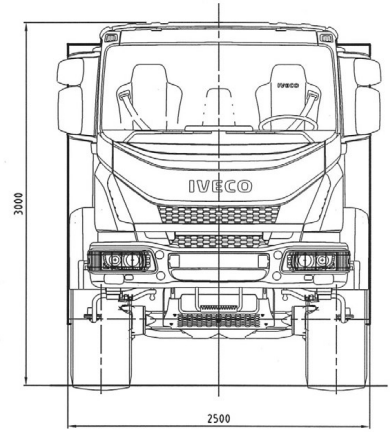
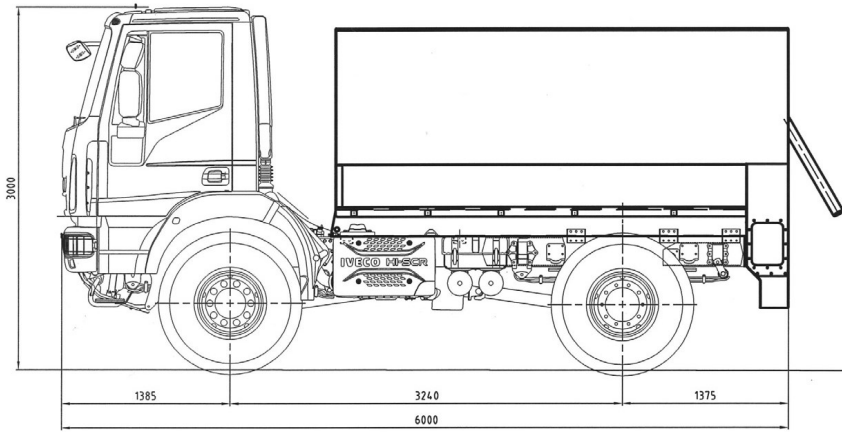
Twin dosing roller required for max amount

Equipment	CS 2-12	CS 3-17
Control terminal		■
Fill level indicator		■
Infinitely variable spreading volume		■
Twin dosing roller	□	■
Variable spreading width 1/3 – 2/3 split		□
Tool storage		■
Lighting package with 4 LED working lights		■
Ladder		■
Access hatch		■
All-wheel-drive chassis		■
Road legal 0 – 88 km/h		■
Wide tyres with open centre tread design/ AS profile		□
Filling interface Storz, alternative on request		■
Filling interface 4" or 5"		□
Filter system for dust-free filling		□
Dust-vacuum system for dust-free spreading	-	□
On-board weighing system	□	□
Paintwork	RAL 9001 cremeweiss	
Custom paintwork		□
Increased power output up to 530 ps	-	□
Alternative chassis	on request	-

■ Standard □ Optional

CS 2-12

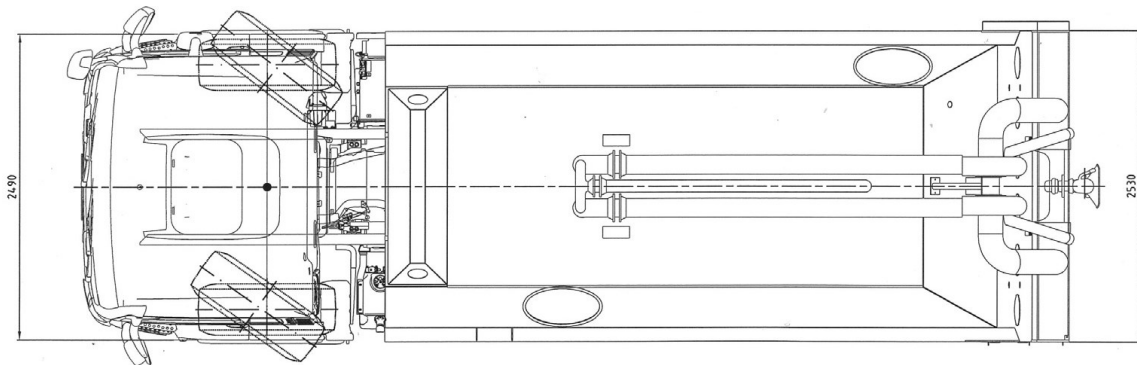
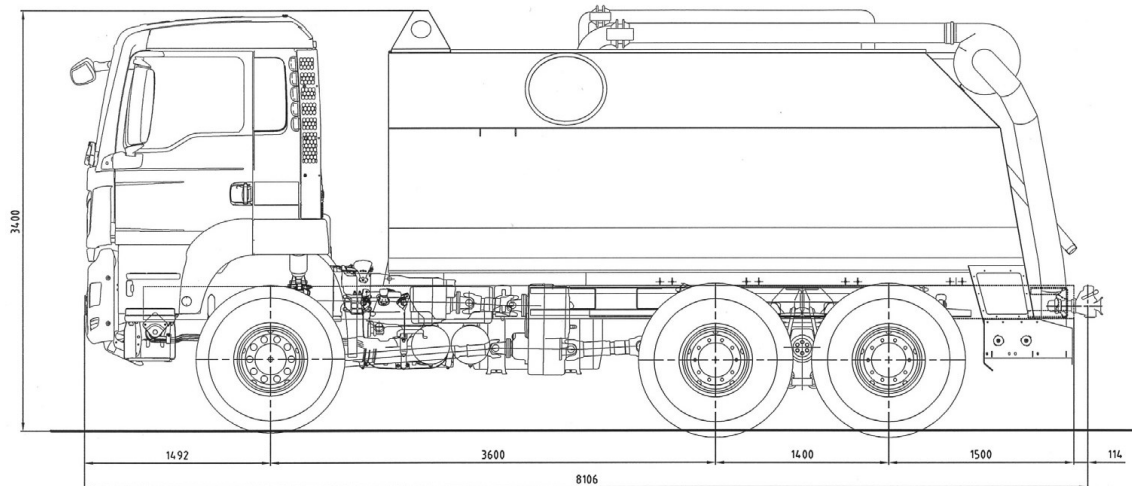
Dimensions



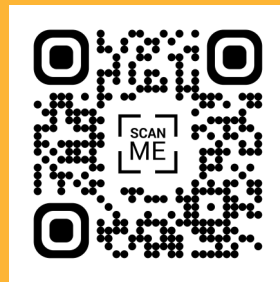
2 axle  
12m<sup>3</sup> Capacity

CS 3-17

3 axle  
17m<sup>3</sup> Capacity



*Innovating since 1957*



**amag GmbH**

Hauptstrasse 100  
56745 Bell  
Germany

+49-2652-93936-0  
info@amag.de  
<http://amag.de>

